

OLYMPUS[®]

Your Vision, Our Future

COMPACT INVERTED
METALLURGICAL MICROSCOPE

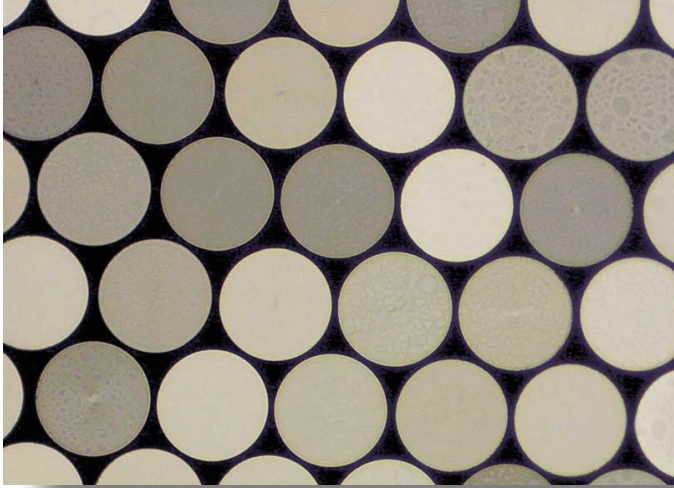
GX41

UIS
UNIVERSAL
INFINITY SYSTEM

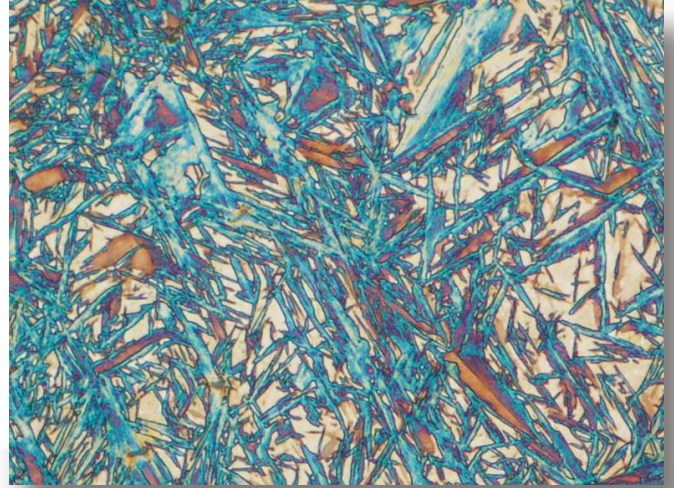


GX41: for quick inspections at the production site

Compact, practical design offering all necessary functions for inspecting metallurgical samples, large metal parts and electronic components



Fiber end section



Martensite and retained austenite



New advances in both imaging and functionality

Featuring the brighter, clearer visibility of UIS optics, and the convenience of observation with instant image recording.

Clear, bright observation at all magnification levels

- Newly improved inspection efficiency thanks to UIS infinity-corrected optics, which allow high-clarity observation with flat, bright, even images right to the edge of the visual field (F.N.22)*.

* When using eyepiece WH10x series.

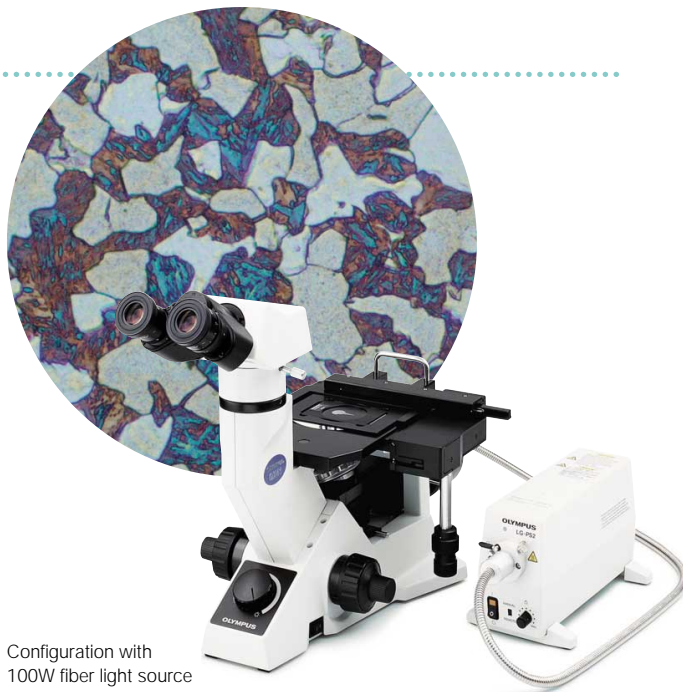
- To meet high-magnification observation requirements, magnification settings extend from 5x to 100x.



- Suitable for both brightfield and simple polarizing observations. The polarizer can be rotated through 90°, allowing optimum contrast control.

- As well as the standard 6V 30W halogen lamp, users can select a 100W fiber light source, high-brightness images, even of dark samples.

- Reflected light illuminator with aperture stop. Optimum contrast is obtained according to objective magnification and observation method. Handy filter pockets are provided, as various types of f25 filters can be used besides the polarizer.



Configuration with 100W fiber light source

Easy observations while standing or sitting

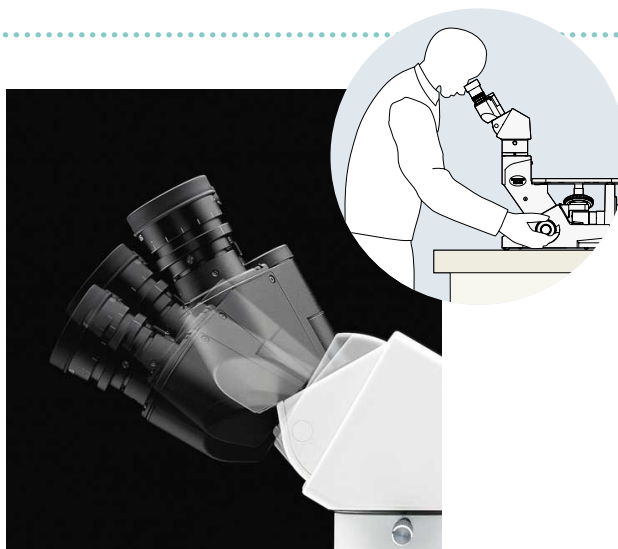
- Different types of tilting binoculars are available, so the tilting angle can be freely changed. Observations can be made quickly and easily, even while standing.

- The 6V30W halogen lamp is pre-centered, making manual centering unnecessary.

- The coaxial coarse and fine focus handle enables focusing without changing hands.

- The revolving nosepiece accepts four objectives, allowing quick exchange among them.

- With the optional stage mirror (CK40M-MS) attached, the user can easily confirm the observation position of the sample (and the objective in use) by only a slight shift of the eye, from the eyepiece to the mirror.



Any size of sample can be comfortably observed

- The plane stage enables observation of thicker/larger samples (more than $\phi 50\text{mm}$), while the mechanical stage allows extremely precise movements.

- The mechanical stage is attached to the left/right side of the plane stage, according to the operator's dominant hand. A stage plate and plate holder are included

- A special stage insert plate (IX-CP50) is provided for samples of over $\phi 100\text{mm}$ diameter.



Fast, easy image recording

- Users can attach a digital microscope camera like the DP12, a video camera or the automatic photomicrography system PM10SP via an intermediate attachment or trinocular tube.

- An adapter for attaching an Olympus Camedia digital camera to the binocular tube is also available.



Configuration with DP12

Easy installation by the production line and easy to carry

- The compact, easy-to-use GX41 can be installed in a limited space, making it suitable for on-the-spot inspections close to production lines.

- Light and easy to carry, the GX41 is ideal for moving between manufacturing site, classroom or practice location.



Easy system expansion according to need

- UIS optics are especially suitable for system expansion. Using optional intermediate attachments does not cause any image deterioration.

- The GX-SPU adapter enables attachment of a digital camera or video camera while using the binocular tube.

- Dual observation attachment U-DO3 allows two people to observe the same image at the same time.

- Intermediate magnification changers U-CA (1.25x, 1.6x, 2x) and U-ECA (2x) let users select intermediate magnifications without changing objectives.



U-CA



U-ECA



U-DO3 configuration

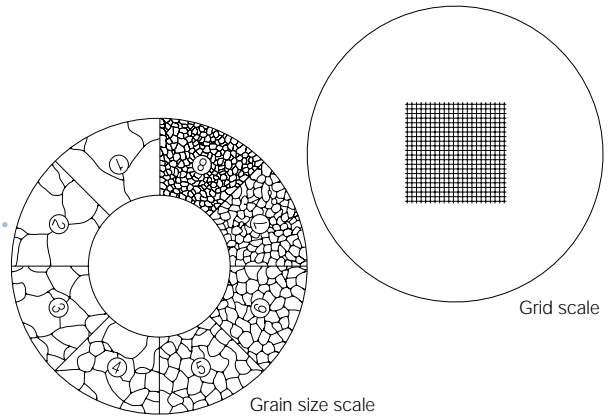


U-DA configuration

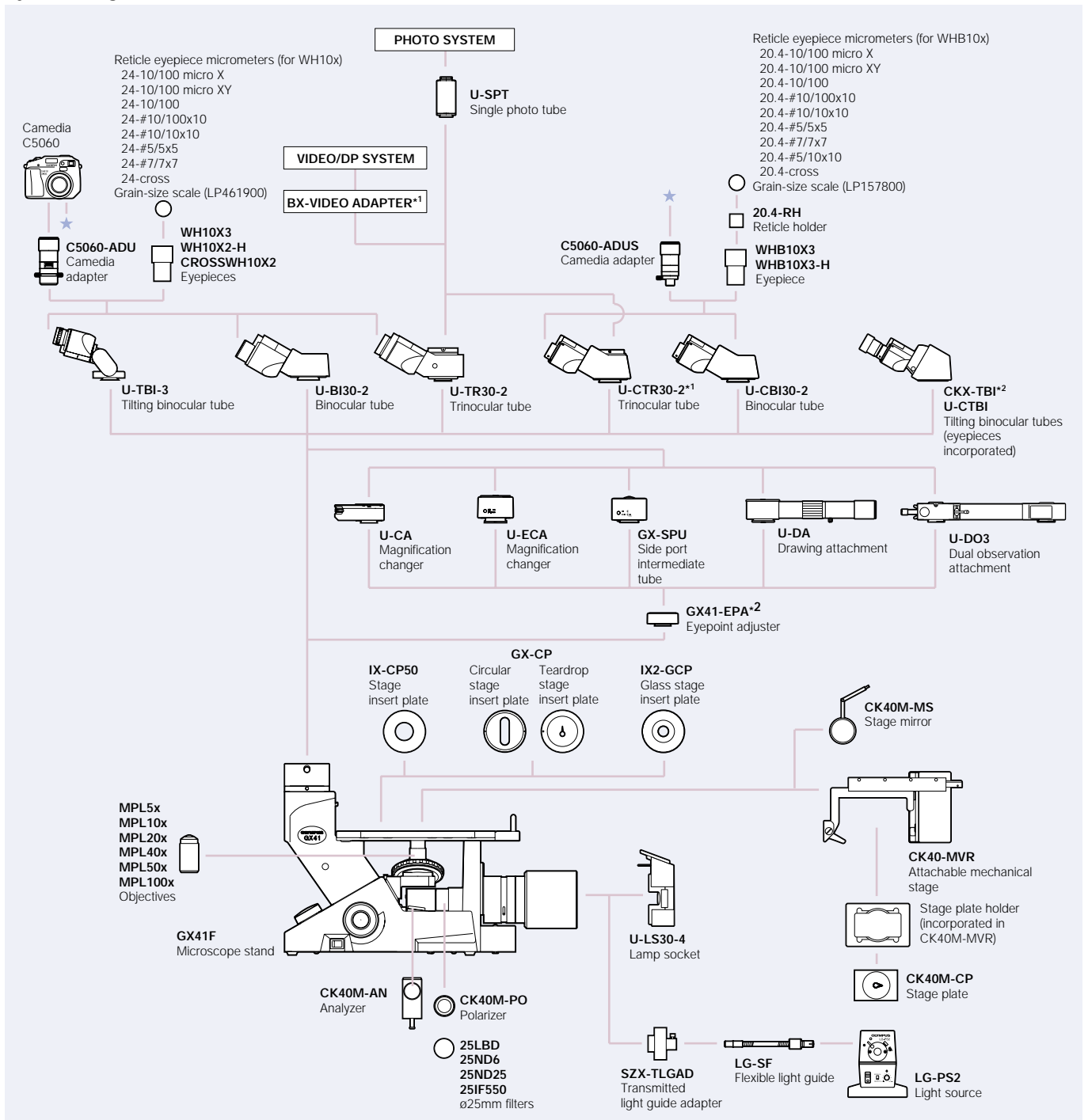
- Drawing attachment U-DA enables easy, accurate drawing; the tip of the pen can be seen through the binocular tube.

Quick compliance with various kinds of measurements, e.g. grain size

• An eyepiece micrometer and grain scale are provided.



System Diagram



*1) When combining TV1x adapter and U-TR30-2, use TV1x-2. *2) When combining GX41-EPA or CKX-TBI, disconnect the adapter attached to GX41F.

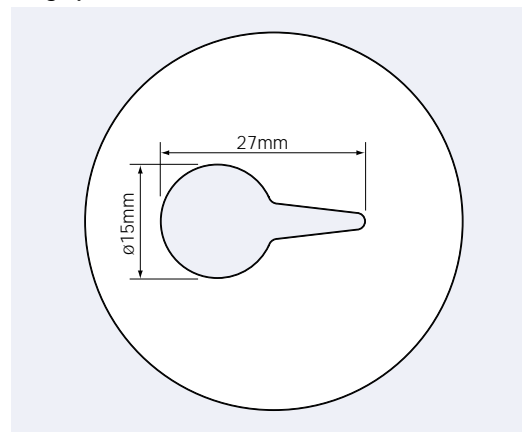
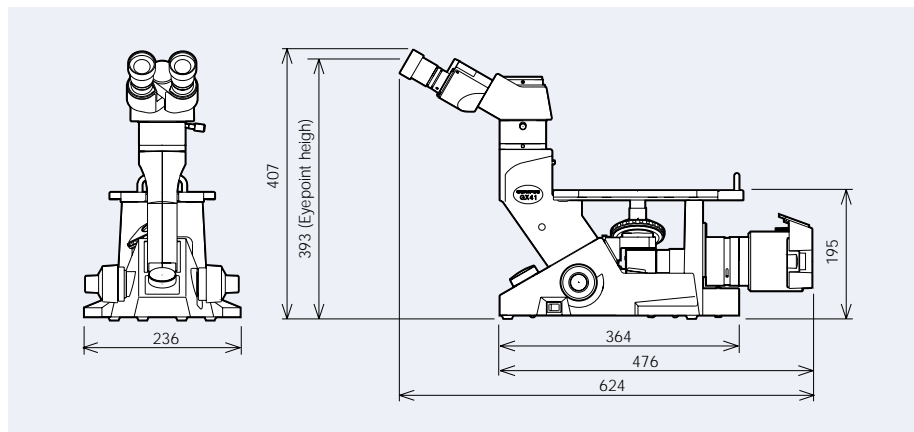
GX41 specifications

| | | |
|--------------------------|---|--|
| Optical system | UIS optical system (infinity-corrected) | |
| Observation method | Reflected light brightfield observation, reflected light simple polarizing observation | |
| Focus | Vertical revolving nosepiece movement (fixed stage), coarse and fine handles (with torque adjustment), roller guide movement. Stroke (from 1mm above focusing position from stage surface) Upward: 7mm, Downward: 2mm Stroke per coarse handle rotation: 36.8mm, Stroke per fine handle rotation: 0.2mm | |
| Revolving nosepiece | Quadruple revolving nosepiece | |
| Stage | Plane stage | Size: 160(W) x 250(D)mm, stage insert plate type (no accessories) |
| | Mechanical stage | Stroke: 120mm(X) x 78(Y)mm Coaxial handle: attachable to right/left side of plane stage Use special stage plate CK40M-CP to observe samples up to ø50mm. |
| Illumination | Illuminator | Built-in aperture diaphragm (Lever operation type) Various ø25mm filters can be inserted |
| | Light source | 6V30WHAL-L: long-life halogen lamp 6V30WHAL: High intensity halogen lamp Rated power output: 6V-30VA Rated input voltage, current and frequency: 100-120V/220-240V-0.85/0.45A, 50/60Hz |
| Observation tube | Eyepieces: Attached to microscope body (F.N. 18) | U-CTBI (tilting tube) Inclination angle: 30°—60°, adjustable interpupillary distance range: 48 — 75mm |
| | Eyepieces: WHB10x3, WHB10x3-H (F.N. 20) | U-CBI30-2 (binocular tube), U-CTR30-2 (trinocular tube) Inclination angle: 30°, interpupillary distance: 48 ~ 75mm |
| | Eyepieces: WH10x3, WH10x2-H, CROSSWH10x2 (F.N. 22) | U-BI30-2 (binocular tube), U-TR30-2 (trinocular tube) Inclination angle: 30°, interpupillary distance: 50 ~ 76mm U-TBI-3 (tilting binocular tube) Inclination angle: 5°—35°, interpupillary distance: 50 ~ 76mm |
| Intermediate attachments | U-CA, GX-SPU, U-ECA, U-DA, U-DO3 | |
| Electrical components | Continuous light intensity volume adjustment, built-in voltage exchange switch | |
| Power consumption | Maximum power consumption: 85VA 40W | |
| Dimensions | 236(W) x 24(D) x 407(H)mm (binocular tube) | |
| Weight | Approx. 10kg | |

GX41 dimensions

(unit: mm)

Stage plate CK40M-CP 1:1 illustration



Specifications are subject to change without any obligation on the part of the manufacturer.



OLYMPUS

OLYMPUS CORPORATION
Shinjuku Monolith, 3-1, Nishi Shinjuku 2-chome, Shinjuku-ku, Tokyo, Japan
OLYMPUS EUROPA GMBH
Postfach 10 49 08, 20034, Hamburg, Germany
OLYMPUS INDUSTRIAL AMERICA, INC.
One Corporate Drive, Orangeburg, NY 10962, U.S.A.
OLYMPUS SINGAPORE PTE LTD.
491B River Valley Road, #12-01/04 Valley Point Office Tower, Singapore 248373

OLYMPUS UK LTD.
2-8 Honduras Street, London EC1Y 0TX, United Kingdom.
OLYMPUS AUSTRALIA PTY. LTD.
31 Gilby Road, Mt. Waverley, VIC 3149, Melbourne, Australia.

www.olympus.com

Printed in Japan M1538E-0904B