

OLYMPUS®

Olympus is about life. About photographic innovations that capture precious moments of life. About advanced medical technology that saves lives. About information- and industry-related products that make possible a better living. About adding to the richness and quality of life for everyone. Olympus. Quality products with a **FOCUS ON LIFE**

FIXED STAGE UPRIGHT MICROSCOPE

BX51WI

FIXED STAGE UPRIGHT MICROSCOPE
WITH MOTORIZED FOCUSING

BX61WI

UIS
UNIVERSAL
INFINITY SYSTEM



A dual commitment: Preventing vibration and protecting living cell specimens

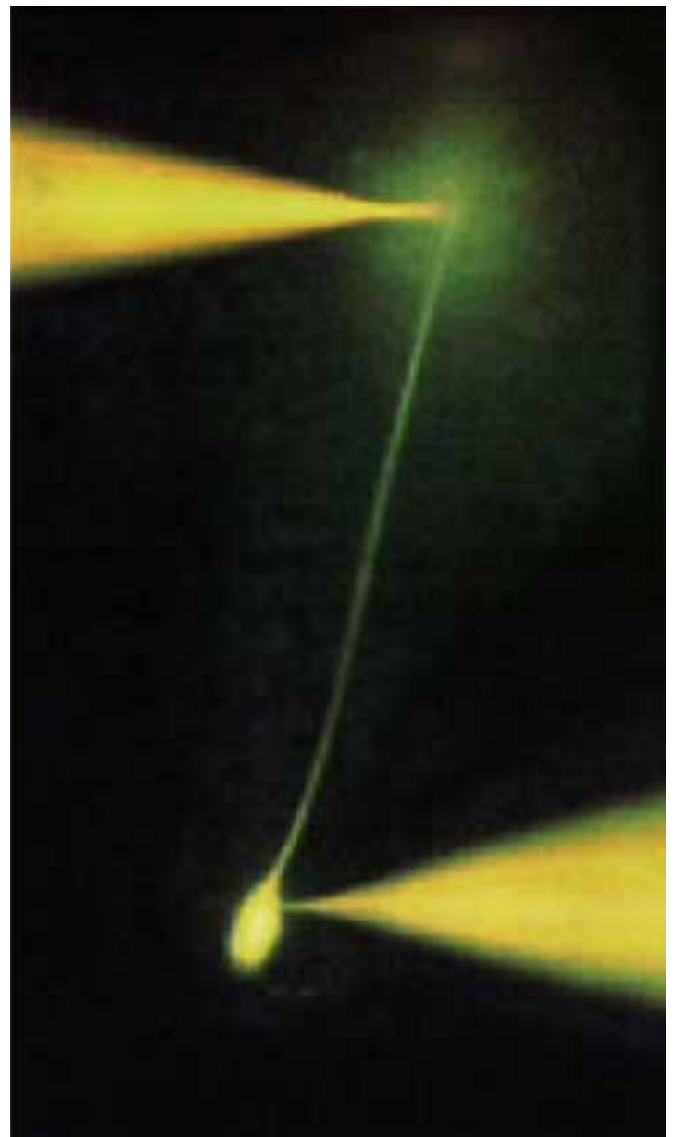
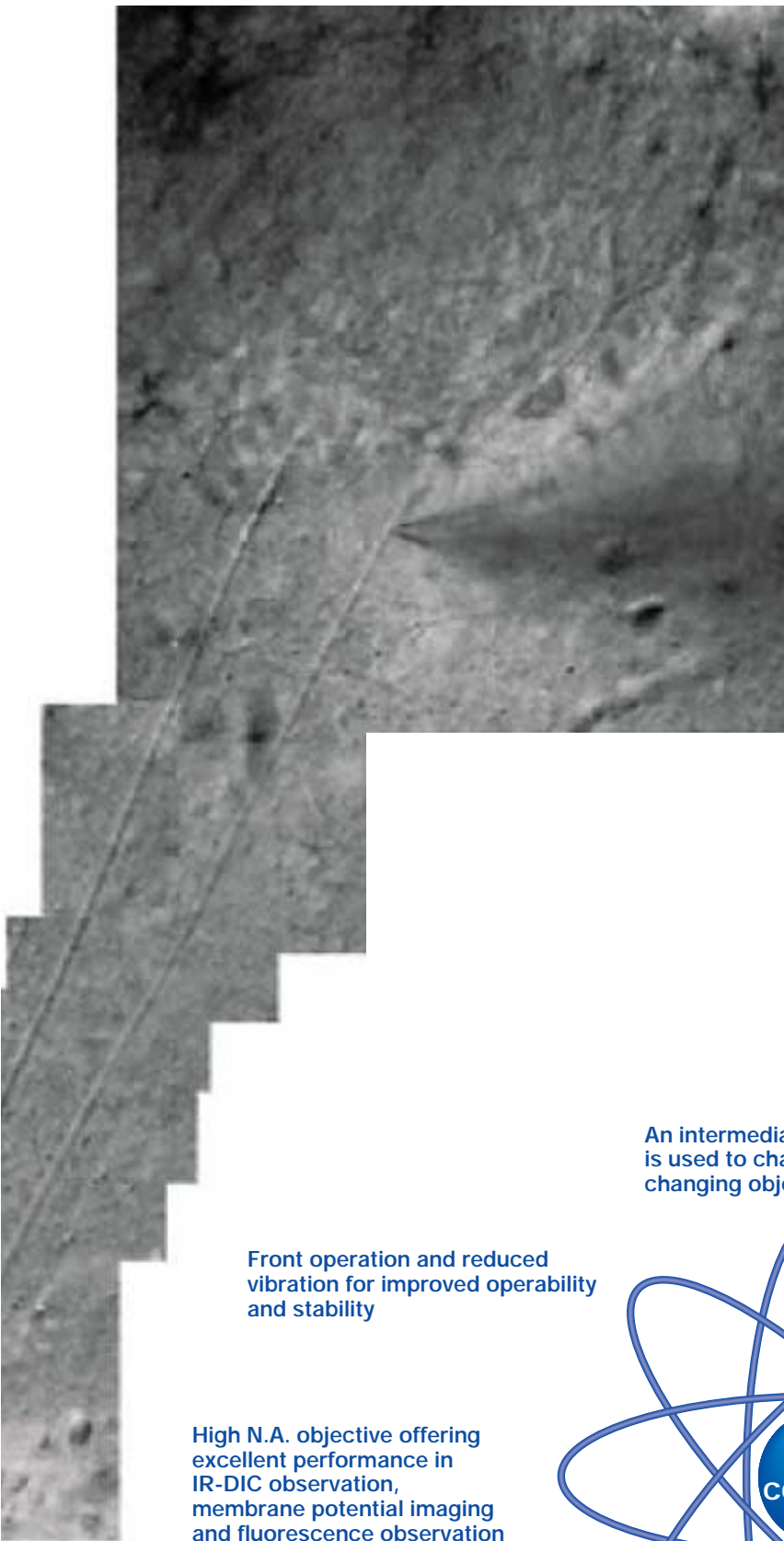
One design theme was central to the development of the new fixed stage microscopes from Olympus — achieve an even higher standard of stability and reliability in electro-physiological applications. The result is a wide range of advanced new features to avoid and prevent vibration. These innovations include the introduction of a new observation method along with detailed analysis of operability and further refinements in image clarity. These improvements work together to make patch clamp operations smoother and more efficient than ever before. Combined with the traditional excellence of UIS optics, the new Olympus fixed stage microscopes define new levels of quality in both performance and ease of use.



BX51WI with Luigs & Neumann Accessories.



Combined with WI-DPMC.
BX51WI with Burleigh Accessories

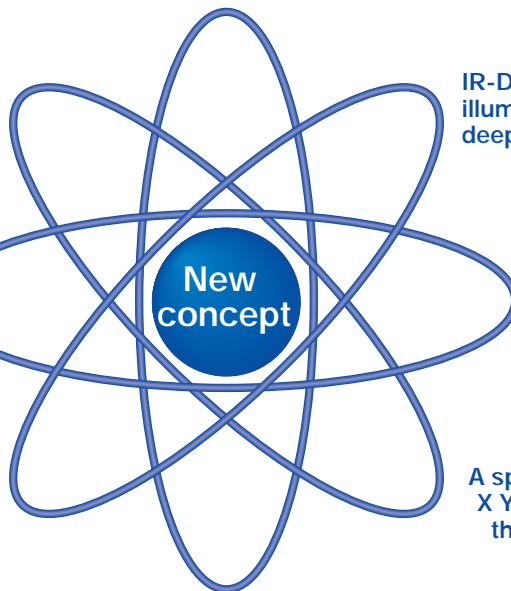


An intermediate magnification changer is used to change magnification without changing objectives

Front operation and reduced vibration for improved operability and stability

High N.A. objective offering excellent performance in IR-DIC observation, membrane potential imaging and fluorescence observation

Raising the objective and lowering the stage of the microscope enables easier experimentation on small animals



IR-DIC and IR oblique illumination condenser for deep-section observation

Full-system physiological confocal microscope, BX61WI with Z-axis motor is LSM ready

A special bridge stage and X Y mover are available for the microscope frame

Fluorescence macro objectives for membrane potential observation

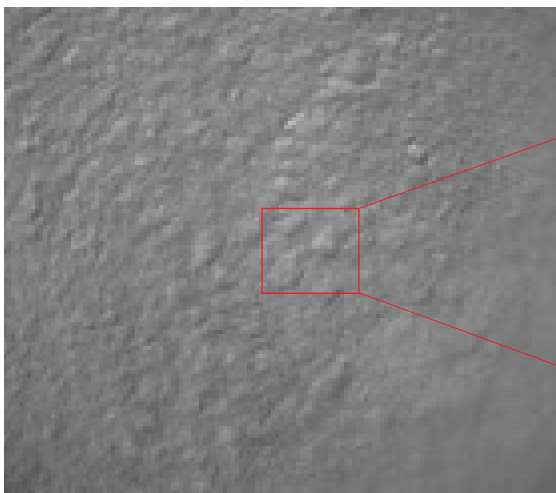
Interchanging low and high magnifications without changing objectives. A new concept in vibration-free design.

A major concern for researchers conducting electro-physiology experiments is the vibration which occurs when switching objectives and the resulting interference this can cause to the specimens and adjacent equipment. To solve this problem, Olympus introduces a new concept — the provision of an intermediate magnification changer in combination with the new High N.A. long working distance 20x objective that allows the user to switch between low and high magnifications without the need to switch objectives.

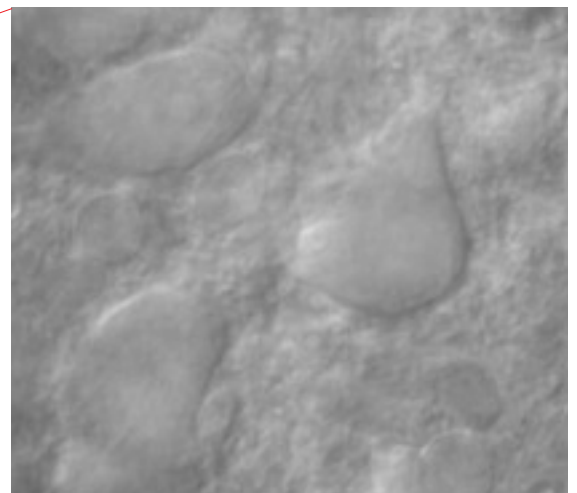


7× Intermediate magnification 0.35 x

80× Intermediate magnification 4 x



Examples using intermediate magnification changer WI-DPMC



New 20x objective (XLUMPLFL20XW) N.A. 0.95; W.D.: 2.0mm

The new 20x water immersion objective makes high-resolution observation possible with a wide range of intermediate magnification lenses. Since exchanges between low and high magnification are performed through the intermediate magnification changer, vibration is reduced to a minimum and the usual concern about collisions between objectives and patch clamp electrodes is eliminated.

Simultaneous fluorescence and IR-DIC observations

With the included 690nm dichroic mirror in the WI-DPMC, fluorescence light is sent to the front port, and IR-DIC light is sent to the back port allowing two cameras to image simultaneously with no vibration introduced by light path selection.

Variable magnification dual port (WI-DPMC)

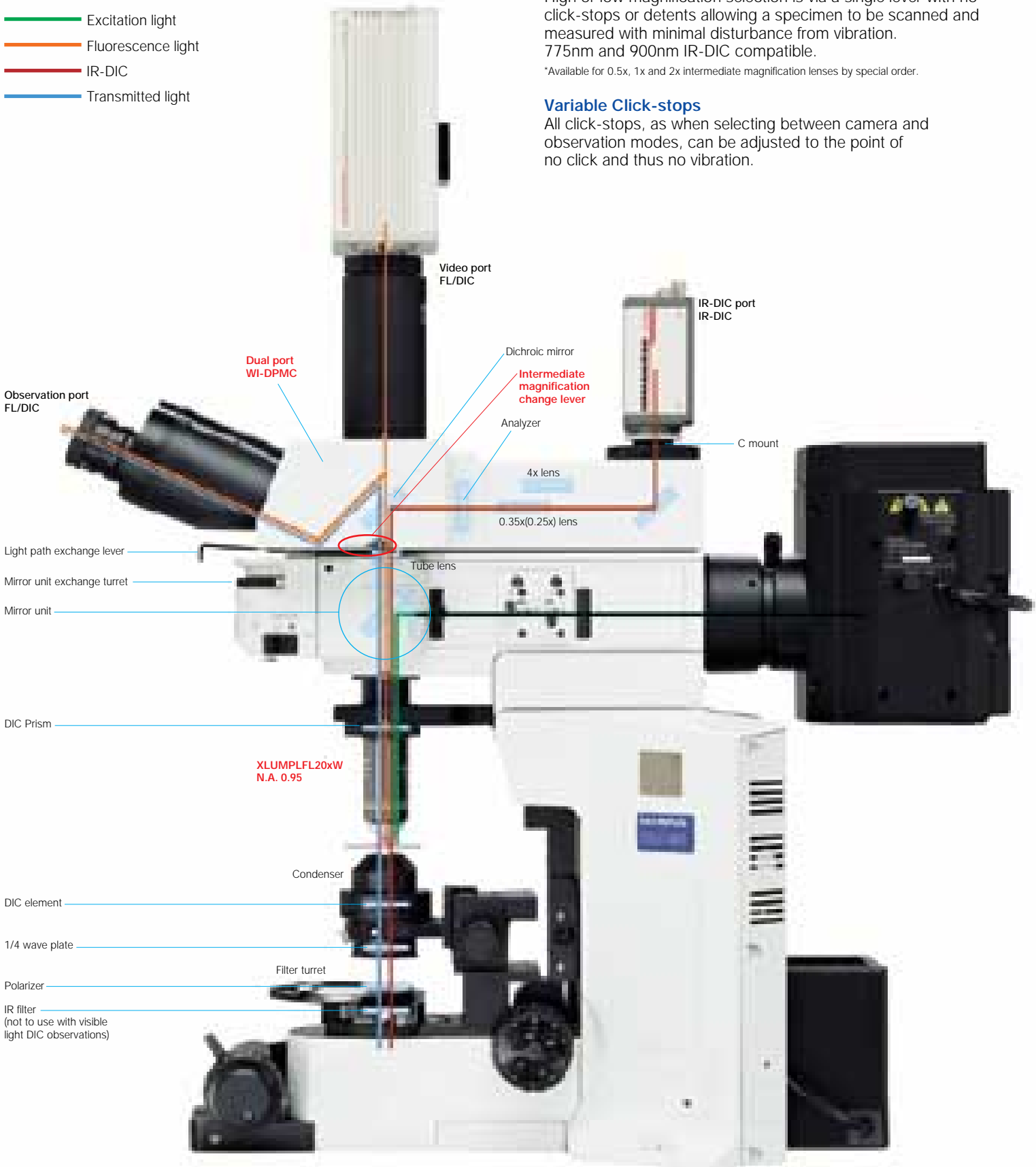
The WI-DPMC rear camera port includes a 2 position intermediate magnification selector. A high magnification 4x intermediate lens is included and a (0.25x, or 0.35x) low magnification lens is optional. High or low magnification selection is via a single lever with no click-stops or detents allowing a specimen to be scanned and measured with minimal disturbance from vibration. 775nm and 900nm IR-DIC compatible.

*Available for 0.5x, 1x and 2x intermediate magnification lenses by special order.

Variable Click-stops

All click-stops, as when selecting between camera and observation modes, can be adjusted to the point of no click and thus no vibration.

- Excitation light
- Fluorescence light
- IR-DIC
- Transmitted light



Front operation with no shock and no noise. A new concept in experimental operation.

The new front operation system prevents interference in patch clamping work. The design concept is simple and allows frequently performed operations like focusing or filter exchange to be done easily at the front of the unit.

Ample space is provided on both sides of the microscope frame and condenser, so the necessary manipulation equipment can be positioned close to the microscope.

1 Vibration-free shutter

The fluorescence shutter slides horizontally with no detents and no vibration.



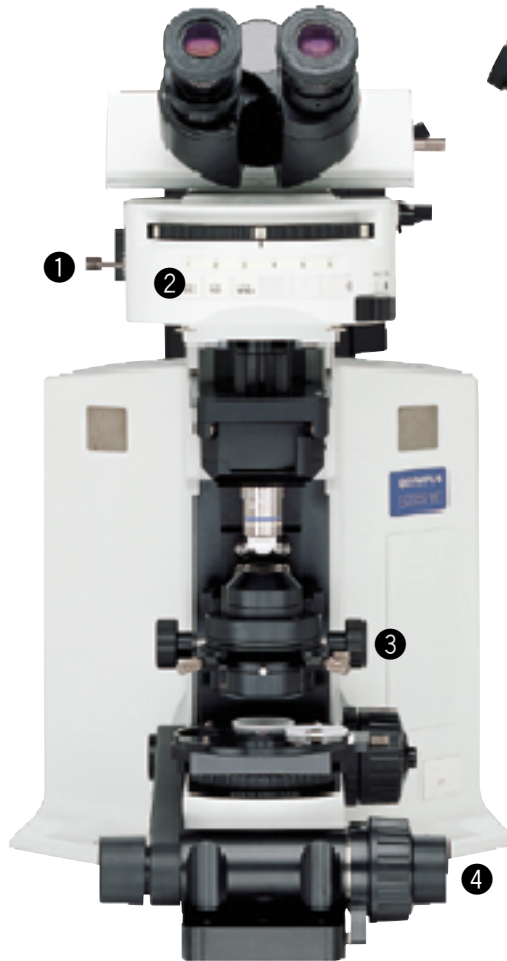
2 Mirror unit turret with adjustable click release

The click-stop on the 6 position turret can be released with a precision screwdriver.



3 Ample space around the condenser

Frame designed for ample space around the condenser, making it easy to adjust Nomarski DIC contrast, exchange filters, adjust the condenser's aperture stop and to easily switch between visible light, Nomarski DIC or IR-DIC.



4 Front focus knobs close to the operator's hand

Fine focus control is located at the front on both sides of the microscope body. The knob on the right integrates both coarse and fine focus control.

5 Coarse focus lock lever

When engaged at the desired position, the objective can be raised with the coarse focus knob and then returned precisely to its original position.



6 A waterproofing sheet

A waterproofing sheet, attached by the supplied magnets, provides protection against liquid overflow and spills. The sheet is large enough to protect the frame, condenser and focusing mechanisms.



Olympus offers a wide choice of nosepieces for different applications.



Swing nosepiece WI-SRE2

Unique slim, compact design and front-to-back swing motion permits objective changes without interfering with electrodes and micromanipulators. Objective positioning incorporates a vibration-free counterspring mechanism.



Slide nosepiece WI-SLRE

This nosepiece is designed for the attachment of one large diameter, low magnification fluorescence objective (XLFLUOR 2x/340 or 4x/340) and one objective with normal (RMS) diameter threads. Nosepiece motion is a simple horizontal slide.



Single position nosepiece WI-SNPXLU

Designed to accept the unique, large diameter XLUMPLFL20x objective.



RMS adapter WI-RMSAD

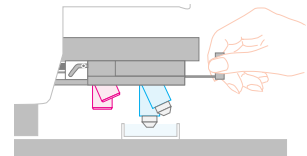
This adapter enables the attachment of an objective with RMS thread size to the WI-SNPXLU.

The new swing-slide nosepiece prevents the intrusion of air bubbles



Swing-slide nosepiece WI-SSNP

This nosepiece features a new swing-slide motion, whereby the objective swings forward while being raised. As a result, the objective clears the walls of the perfusion chamber. This motion also prevents the trapping of air bubbles when the objective is lowered.



7 Remote power supply and hand switch

The remote TH4 power supply for transmitted light is designed with no cooling fan to minimize electrical noise. Features on/off and intensity controls. Can also be used with the optional TH4-HS hand switch providing light intensity and on/off control a maximal distance away from the Faraday cage.

Special bridge stage and microscope mover for the BXWI

■ **XY mover WI-XYM**

The XY mover allows the movement of the microscope frame without moving either the specimen or electrodes. Especially useful for multiple patch-clamping experiments, the XY mover has convenient frontal controls.



■ **Bridge stage WI-XYS**

This stage is designed for small animal, in-vivo observations; Stage height can be lowered 50mm by simply detaching the column spacers. Designed for use with the XY mover (WI-XYM), the stage platform is compact requiring minimal desk space. Stage top is pre-tapped and ferro-magnetic for flexibility in mounting manipulators.

* Some manipulators cannot be used, due to the size of the stage.

Culture cell observation

IX-SVL2 general purpose platform stage. Mounts for left or right hand operation. Provides stable specimen X-Y movement.



BX51WI+IX-SVL2

New functionality and solutions to meet a wide variety of needs. A powerful new concept.



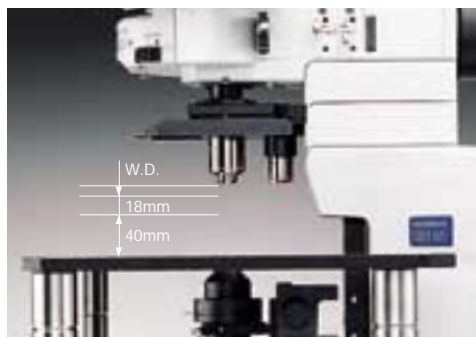
Experimenting with small animals

Raising the objective and lowering the stage to enable small animal experiments

The arm height raising kit (WI-ARMAD) provides an additional 40mm of clearance and is mounted between the microscope frame and the reflected light illuminator. Small animal experiments usually do not require transmitted light thus allowing the removal of the substage condenser assembly. After removal, the stage may be lowered an additional 50mm, providing a total clearance increase of 90mm.



Normal configuration



40mm more clearance via WI-ARMAD



Detaching the condenser assembly and lowering the stage by 50mm provides maximal clearance



Photoactivation

A variety of convenient units to add light sources and control the light

Lamphouse adapter U-LHAD

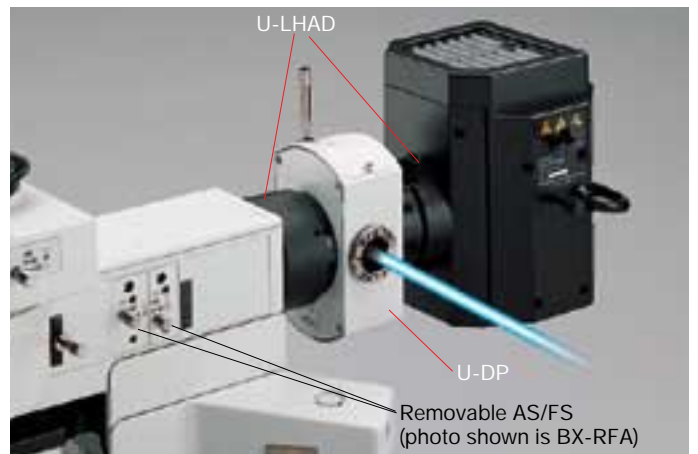
This adapter allows the mounting of the dual port (U-DP) between the microscope frame and lamp housing.

Rectangular field stop BX-RFSS

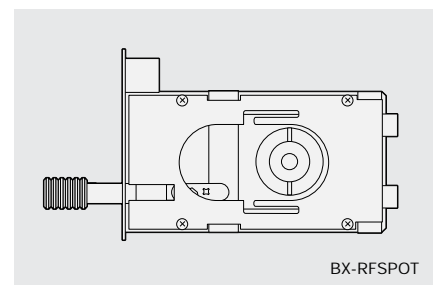
Designed for use with CCD cameras, prevents photobleaching of the specimen outside of the imaging area.

Pinhole unit BX-RFSPOT

Lighting the cell via a pinhole allows experimentation on reaction to light. Optional MELLE'S GRIOT's $\phi 16$ pinhole is used.



BX-RFSS



BX-RFSPOT



BX51WI+WI-STAD+U-SVRB-4



Microinjection

BX Stage and adapter for injection experiments

The stage adapter WI-STAD is designed to allow the attachment of a traditional microscope right or left hand stage to the WI frame. The compact design of the BX2 stage (U-SVRB-4, or U-SVLB-4) reduces the distance between the specimen and the manipulator and creates a stable platform for injections.



Confocal Microscope System

BX61WI — Built in Z-axis focus motor

The BX61WI frame incorporates a precise Z-axis focus motor with 0.01µm step size. Designed to incorporate the Olympus Fluoview scan unit and software, the BX61WI is ready for confocal z-stacks. Microscope frame includes programmable buttons for a wide variety of applications.



U-FH

Setting example: BX61WI+FV300

Convenient, optional focusing hand switch U-FH for remote operation

The remote hand switch allows the user to control the microscope remotely via a 2 meter connection cable. Hand switch allows the selection of coarse and fine focus movement, and nosepiece escape/return. Hand switch buttons can also be custom programmed for individual needs.

Optional Olympus Fluoview Confocal System FV500/FV300

With the scanning unit set at the back of the microscope body, compact layout in the cage is possible.

Moving the microscope and scanning unit together (mover available by special order)

Allows X and Y movement of both the microscope and scan unit together while the stage and specimen are fixed.

Additional lasers and accessories

An assortment of lasers can easily be attached to satisfy a wide variety of applications.

Ultimate image clarity for electro-physiological experiments A new concept in live cell observation.



IR-DIC/ Nomarski DIC observation

IR-DIC Optimized Optics:

Designed for observations at 775nm to 900nm

Thanks to the precisely aberration-compensated IR-DIC optics covering from visible to near infrared light of 775nm/900nm wavelength, the clarity of images observed under near infrared light has been improved still further, allowing clear observation of even deep sections of brain slice.

- **Visible light DIC**

Allows operator high-resolution observation of the tissue surface.

- **775nm IR-DIC**

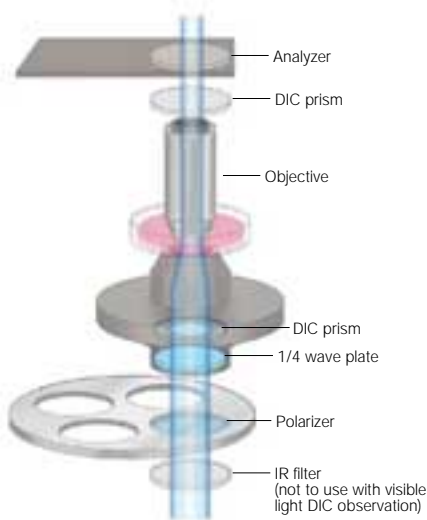
In combination with an IR camera allows observation within the tissue slice. Optics are corrected for visible and IR wavelengths allowing fast switching between wavelengths with minimal refocusing.

- **900nm Nomarski DIC**

Allows observation deeper into the tissue (requires special polarizer and analyzer optimized for 900nm).

Senarmont compensation for Nomarski DIC observation

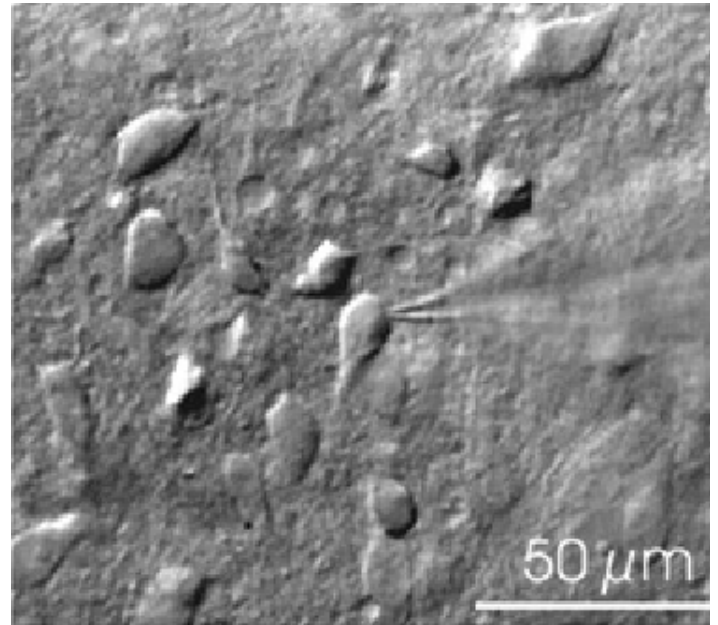
When using a Senarmont equipped condenser, all contrast adjustments are performed with the 1/4 wave plate below the condenser, thus eliminating the risk of bumping the stage, specimen, manipulators or nosepiece.



Oblique illumination observation

Oblique observation optimizes contrast by changing the direction of the specimen shadow

Olympus has developed an oblique condenser (WI-OBCD) whose long working distance enables the angles of shadow to be altered through 360 degrees without moving the specimen. Requiring no additional accessories, oblique illumination is easy to set up and control. Plastic dishes (normally unsuitable for all types of DIC) are easy to image with oblique illumination. The oblique illumination slit aperture is variable in size and on a slider allowing quick changeover.

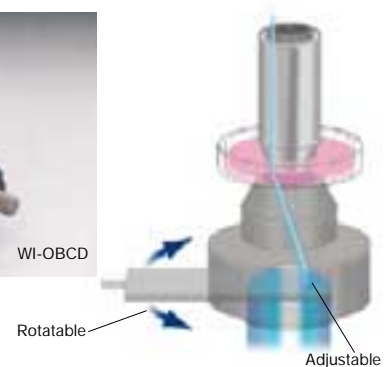


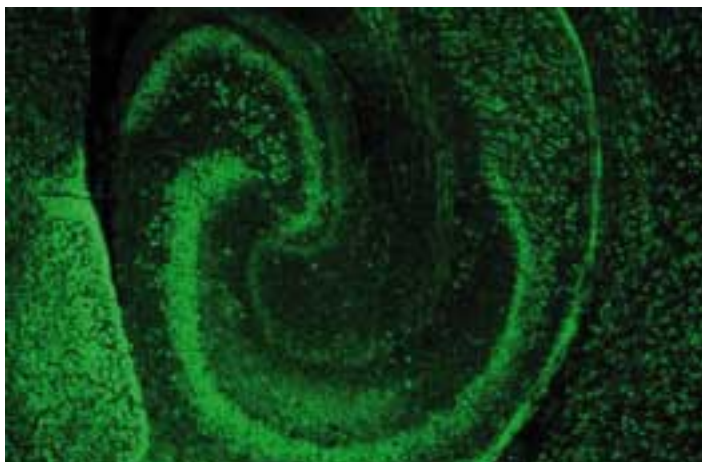
Nucleus of solitary tract from slice of rat medulla oblongata (thickness: 400μm)

Prof. Fusao Kato
School of Medicine Physiology Dept.,
Jikei University
Kato & Shigetomi, J. Physiol.(2001), 530: 469-486

Universal condenser with DIC for improved contrast

Suitable for use in visible and 775nm/900nm near-infrared light, the U-UCD8 universal condenser is a high N.A., short working distance condenser offering improved contrast in nerve cell observations, for example.





Transverse cryostat section through the hippocampus of a mouse at postnatal day 10 was stained with a mouse monoclonal anti-neurofilament-L (Chemicon, MAB1615) . An FITC-conjugated anti-mouse antibody was used for detection of NF-L.
Objective: XLFLUOR4x/340
Masaharu Ogawa, Ph.D
Laboratory for Cell Culture Development,
Brain Science Institute, Riken



Fluorescence macro observation

2x and 4x Macro lenses with high numerical apertures provide fluorescence images designed for GFP imaging of large cells such as neurons

2x and 4x low magnification fluorescence objectives and a special GFP observation mirror unit are available. The objectives have a long working distance for maximum flexibility. An optional water immersion cap (XL-CAP) is also available to remove image aberrations caused by ripples on water surface of immersed specimens.



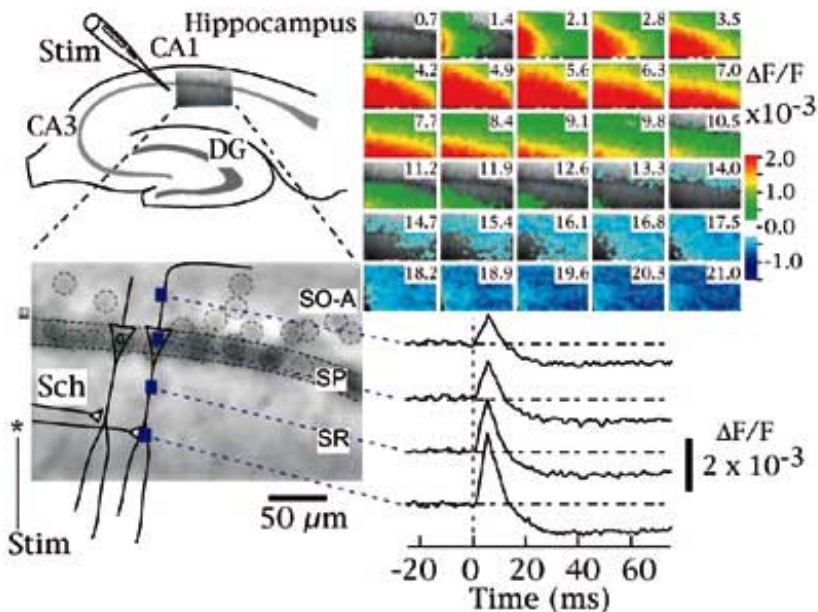
The objectives have a long working distance for maximum flexibility. An optional water immersion cap (XL-CAP) is also available to remove image aberrations caused by ripples on water surface of immersed specimens.



Observing changes in membrane potential

Measuring changes in membrane electric potential by using the XLUMPLFL20xW objective with N.A. 0.95

The XLUMPLFL20xW objective, with its high N.A., and 2.0mm of working distance allows the measurement of cell membrane electric potential (as seen right). Also, the 4x macro objective (XLFLUOR4x/340) can be used to measure membrane potential at the tissue level. A water immersion cap (XL-CAP) can be attached to the macro 2x or 4x objectives to eliminate disturbances caused by water ripples.



Imaging of neuronal activity with voltage sensitive dye

Spread of neural activity in area CA1 of acute rat hippocampal slice (400 μ m thick) in response to a single stimulation applied to Schaffer collateral pathway imaged (at frame rate of 0.7 ms/frame) with a fluorescent voltage sensitive dye (VSD; Di-4-ANEPPS). The fluorescent image (90x60 pixels) captured by a digital high-speed CCD camera (MiCAM01, Brain Vision Inc.; with 20x objective and 0.5x adapter) is superimposed on the illustration of a hippocampal slice (upper left panel). The image is enlarged and shown on the illustration of pyramidal cells (solid line) (lower left panel). Each laminar of CA1 is shown as follows: SO-A, Stratum oriens-alveus; SP, Stratum pyramidal; SR, Stratum radiatum. The individual somas of cells were visible (indicated by dotted circle on the image) and were found along the stratum pyramidal. The changes in the fluorescence of VSD (optical signal) in accordance with the membrane potential change upon a stimulation (Stim) onto Schaffer collateral (Sch) were pseudo-color encoded and shown as consecutive images (upper right panel; number in each image shows time from the stimulation (ms)). The depolarizing signal (red) spread along Schaffer collateral, which was followed by a hyperpolarizing signal (blue) originated in stratum pyramidal. The time courses of optical signals in representative pixels are shown in lower right traces.

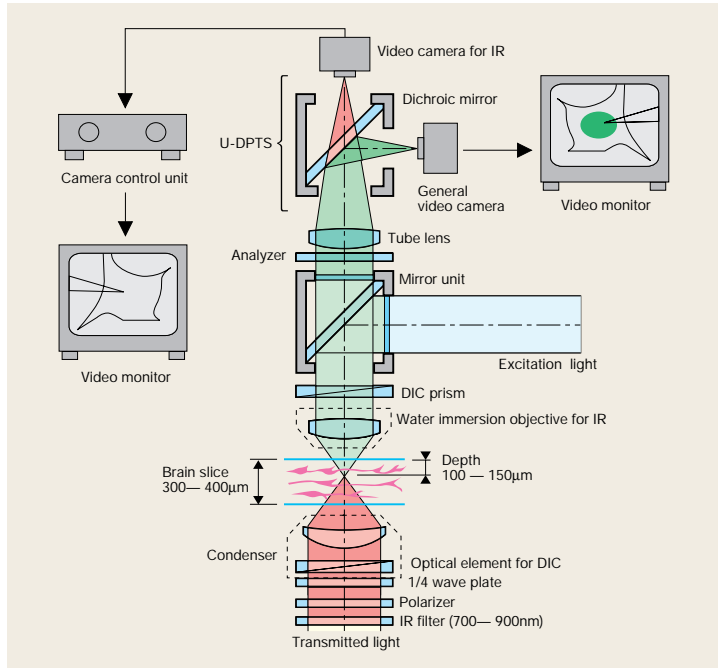
Takashi Tominaga Ph.D, Brain-Operative Device Lab., Brainway Group, Brain Science Institute, Riken

Accessories

Multi double port tube U-DPTS

The U-DPTS accepts an optional dichroic mirror allowing the incoming to be split between visible and infrared and be observed simultaneously using two cameras.

* A fluorescence mirror unit is required.



Intermediate magnification changer U-ECA, U-CA

The U-ECA, which includes a 2x intermediate magnification position, allows quick magnification changes to a camera or observer without the need to change objectives. The U-CA includes a 4 position turret that allows rapid switching between a 1x, 1.25x, 1.6x and 2x positions. Both changers accept standard Olympus adapters for attaching a wide range of cameras.

* U-ECA and U-CA are not recommended for IR observation with the U-TR30 trinocular observation head.



C-mount video magnification change unit (IR-compliant) U-TVAC

The U-TVAC includes a 3-position turret with 1x, 2x, and 4x IR corrected positions. Includes a standard c-mount top port.



UIS Objectives



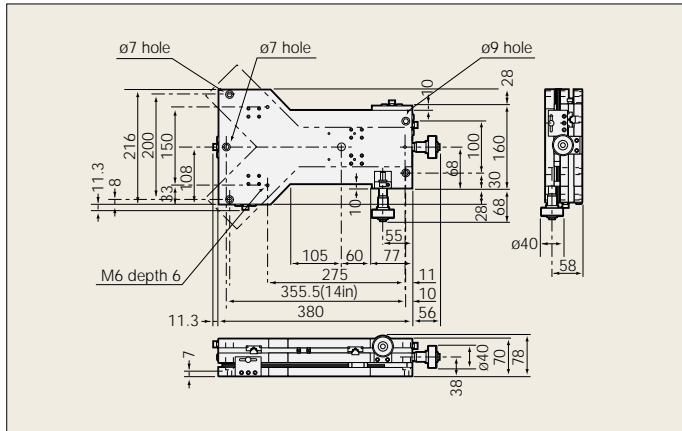
Objectives		N.A.	W.D. (mm)	Visible light	775nm	900nm
Long working distance no cover water immersion objective	UMPlanFL10xW	0.30	3.3	○	○	—
	UMPlanFL20xW	0.50	3.3	○	○	—
	LUMPlanFL40xW	0.80	3.3	○	○	—
	LUMPlanFL60xW	0.90	2.0	○	○	—
	LUMPlanFL100xW	0.90	1.5	○	○	○
For near IR-DIC observation	LUMPlanFL40xW/IR2	0.80	3.3	○	○	○
	LUMPlanFL60xW/IR2	0.90	2.0	○	○	○
Long magnification fluorescence objective	XLFLUOR2x/340	0.14	21.0 (include 5mm water)	○	○	—
	XLFLUOR4x/340	0.28	29.5 (include 5mm water)	○	○	—
20x super high N.A. objective	XLUMPLFL20xW	0.95	2.0	○	○	○

BX51WI/BX61WI specifications

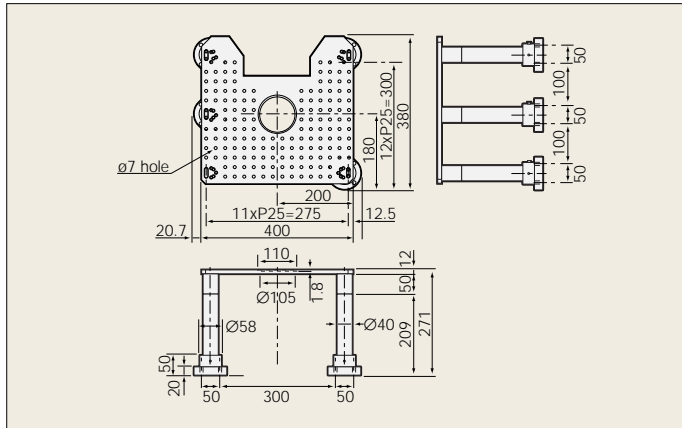
Optics		UIS optical system	
Material		Aluminum	
Illumination	BX51WI	Microscope body	Built-in Koehler illumination for transmitted light (F.N. 22), external light source, 12V100W long life halogen bulb (pre-centered)(average lifetime: approximately 2,000 hours)
		Light source TH4	Light adjustment: DC2.5V ~ 12.6V (continuous adjustment) 8.4A max. Power consumption: 150W, dimensions: 75(W) x 125(W) x 200(D) mm, weight 2kg
	BX61WI	Microscope body	Built-in Koehler illumination for transmitted light (F.N. 22) 12V100W long life halogen bulb (pre-centered)(average lifetime: approximately 2,000 hours) Light adjustment: less than DC2V ~ 12V (continuous adjustment) Brightness adjustment, light preset switch
		Light source BX-UCB	Power consumption: 200W, dimensions: 125(W) x 216(W) x 310(D) mm, weight 5kg
Focus	BX51WI	Nosepiece focus by roller guide (rack & pinion) Stroke per rotation; fine: 0.1mm coarse: 15mm maximum stroke: 25mm Coarse lower limit stopper mechanism, Torque adjustment mechanism for coarse focus	
	BX61WI	Motorized focusing using stepping motor and ball screw Nosepiece focus by cross roller guide Minimum graduation; fine: 1 μ m (sensitivity 1 μ m) resolution: 0.01 μ m, maximum stage movement speed: 3mm/s. Stroke per rotation; fine: 0.1mm coarse: 1mm Stroke: 25mm, stage escape mechanism	
Nosepiece	WI-SRE2	Swing nosepiece	DIC prism: WI-DICTHRA, WI-DICT nosepiece arm: WI-NPA
	U-SLRE	Slide nosepiece	DIC prism: DIC observation is not available nosepiece arm: WI-NPA
	WI-SNPXLU	Single position nosepiece	DIC prism: WI-DICTHRA, WI-DICT nosepiece arm: WI-NPA
	WI-SSNP	Swing-slide nosepiece	DIC prism: WI-DICTHRA, WI-DICT nosepiece arm: integrated
Fluorescent illuminator	BX-RFA	BX fluorescence illuminator, excitation balancer attachable, FS/AS detachable	
	BX-URA2	BX reflected light illuminator	
Observation tube	U-TR30-2	Trinocular, F.N.: 22, inclination angle: 30°, interpupillary distance: 50mm — 76mm Light path exchange: 3 steps ① Bl: 100% ② Bl: 20% video, photo: 80% ③ Video, photo: 100%	
	U-ETR3	Erect image trinocular, F.N.: 22, inclination angle: 30°, interpupillary distance: 50mm — 76mm Light path exchange: 2 steps ① Binocular: 100% ② Video, photo: 100%	
	WI-DPMC	Double port magnification change unit, F.N.: 22, inclination angle: 24°, interpupillary distance: 50mm — 76mm, Light path exchange: 3 steps	
Stage	IX-SVL2	Mechanical stage, fixed to microscope body with WI-FSH, cross movement mechanism, X, Y axes handle torque adjustable (rack & pinion), movement range: 43mm(Y) x 50mm(X)	
	WI-XYS	Fixed on the anti-vibration table, cross movement mechanism (moved together with microscope body by WI-XYM)	
	U-SVL(R)B-4	Used together with WI-STAD, cross movement mechanism, X, Y axes handle torque adjustable (rack & pinion), movement range: 52mm(Y) x 76mm(X)	
Long working distance condenser	WI-UCD	Universal condenser, N.A.: 0.8, W.D.: 5.7mm, with variable A.S. mechanism, turret: 4-position, four DIC prisms attachable Built-in quarter wavelength plate	
	WI-DICD	DIC condenser, one DIC prism attachable	
	WI-OB CD	Oblique condenser, built-in variable oblique illumination stop	

WI-XYM dimensions

(unit: mm)


WI-XYS dimensions

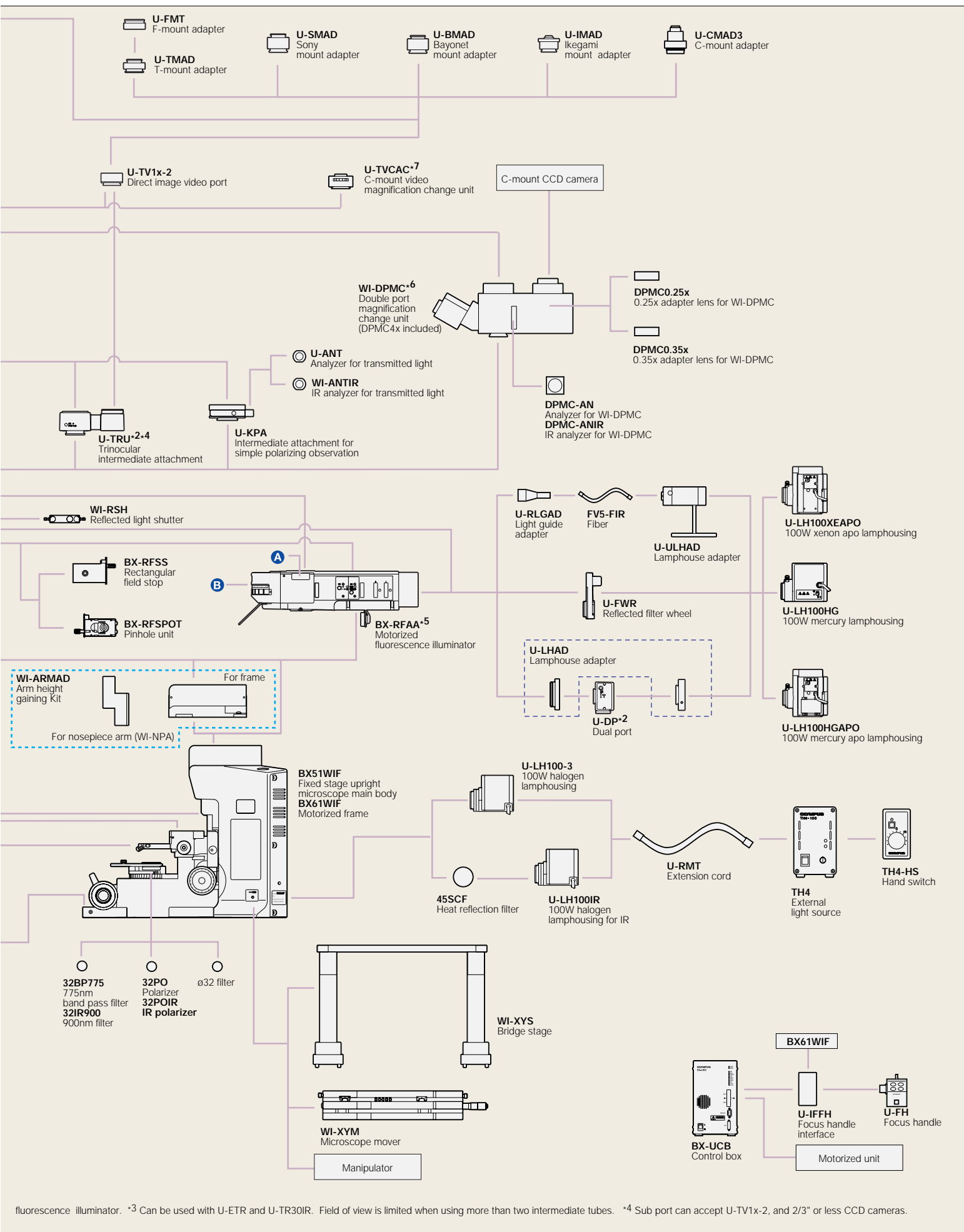
(unit: mm)


WI-DPMC specifications

Optical light path exchange	3 steps	Bl: 100% Front port 100% Simultaneous use of front (visible light) and back (near IR light) ports		
		Clicker ability adjustable		
Binocular observation tube		F.N. 22, inclination angle 24°, Interpupillary distance: 50 — 76mm		
Front port		For fluorescent observation, F.N. 22, Simultaneous adjustment function with backport		
Back port		For IR observation (c mount adapter)		
Magnification change	Magnification changer lens magnification	Total magnification	N.A.	Projection magnification
* custom made product (when combining with XLUMPLFL20xW)	0.25x	5x	0.15	1/2 inch
	0.35x	7x	0.22	2/3 inch
	0.5x*	10x	0.4	2/3 inch
	1x*	20x	0.95	2/3 inch
	2x*	40x	0.95	2/3 inch
	4x	80x	0.95	2/3 inch
IR-DIC observation		Insert 775nm analyzer or 900nm analyzer into WI-DPMC		

WI-XYM, WI-XYS specifications

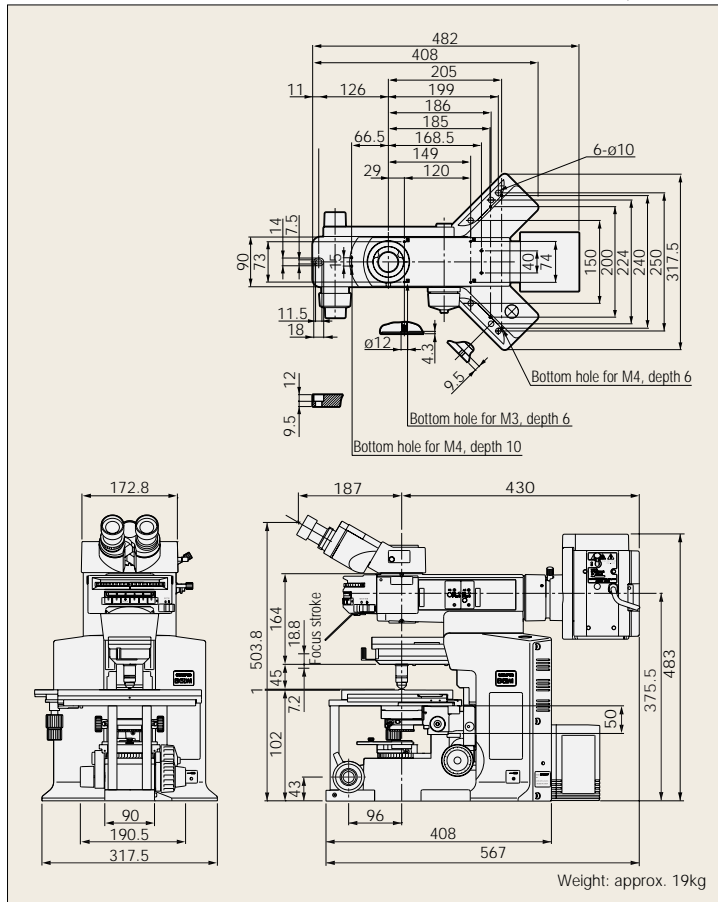
WI-XYM	Microscope	BX51WI, BX61WI
	X-Y stroke	25mm (minimum graduation 10 μ m)
	Maximum loading	294N (30kgf)
	Weight	Approx. 9.1kg
Applicable anti-vibration table	25mm or 50mm pitch with M5, M6 screw holes 1inch or 2 inch pitch with 1/4-20UNC screw holes Fixable	
	WI-XYS	
WI-XYS	Stage height	271mm or 221mm
	Manipulator setting	Fixable to ø7mm or 25mm pitch holes with M5 or M6 bolts and nuts
	Material	Iron (magnet can be used)
	Weight	Approx. 22.1kg
	Applicable anti-vibration table	25mm or 50mm pitch with M5, M6 screw holes 1inch or 2 inch pitch with 1/4-20UNC screw holes



fluorescence illuminator. *3 Can be used with U-ETR and U-TR30IR. Field of view is limited when using more than two intermediate tubes. *4 Sub port can accept U-TV1x-2, and 2/3" or less CCD cameras.

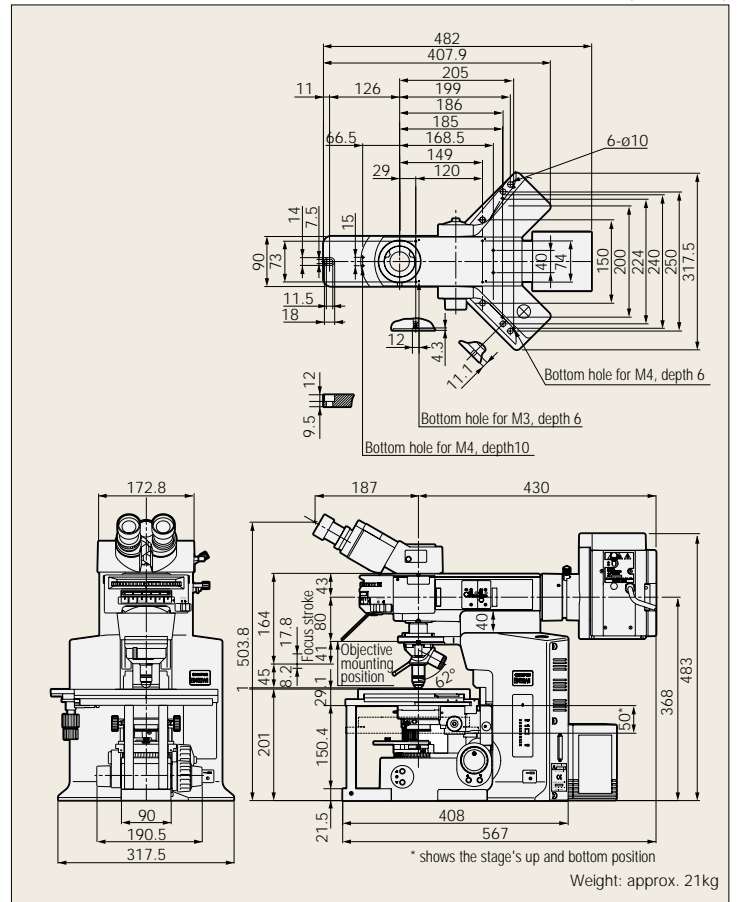
BX51WI dimensions

(unit: mm)



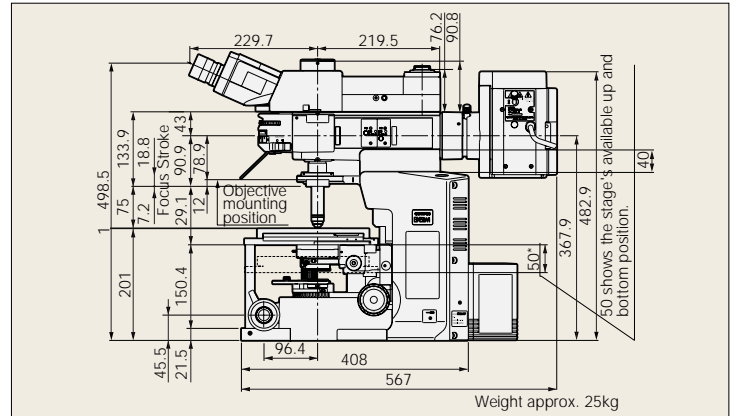
BX61WI dimensions

(unit: mm)



BX51+WI-DPMC dimensions

(unit: mm)



Web site address: <http://www.olympus.com>

*All brands are trademarks or registered trademarks of their respective owners. Specifications are subject to change without any obligation on the part of the manufacturer.



Olympus business areas

- Medical and health-care area
- Imaging and information area
- Industrial applications area



OLYMPUS OPTICAL CO.,LTD.
 San-Ei building, 22-2, Nishi Shinjuku 1-chome, Shinjuku-ku, Tokyo, Japan
OLYMPUS OPTICAL CO.(EUROPA) GMBH.
 Postfach 10 49 08, 20034, Hamburg, Germany
OLYMPUS AMERICA INC.
 2 Corporate Center Drive, Melville, NY 11747-3157, U.S.A.
OLYMPUS SINGAPORE PTE LTD.
 491B River Valley Road, #12-01/04 Valley Point Office Tower, Singapore 248373
OLYMPUS OPTICAL CO.(UK) LTD.
 2-8 Honduras Street, London EC1Y 0TX, United Kingdom.
OLYMPUS AUSTRALIA PTY. LTD.
 104 Ferntree Gully Road, Oakleigh, Victoria, 3166, Australia